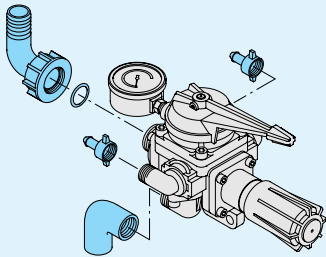


UN000508-IC

86 - 1

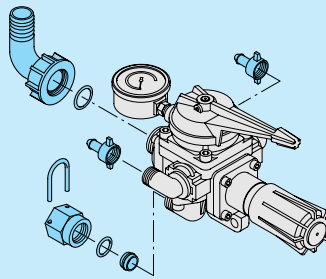
KIT PER / FOR BY MATIC 50

KIT 995 "T"



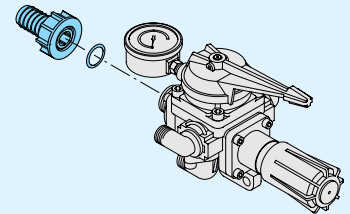
UN000509-GF

KIT 996 "T"



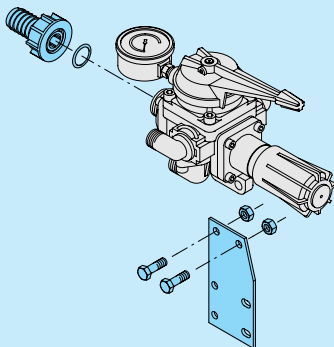
UN000510-GF

KIT 988 "S"



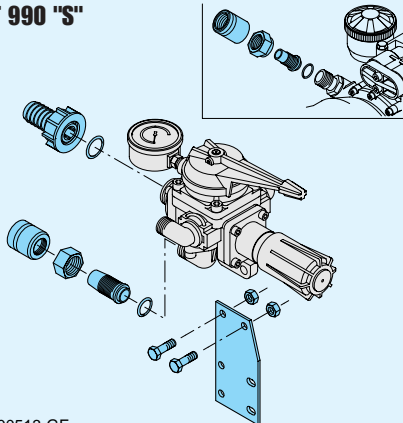
UN000511-GF

KIT 999 "S"



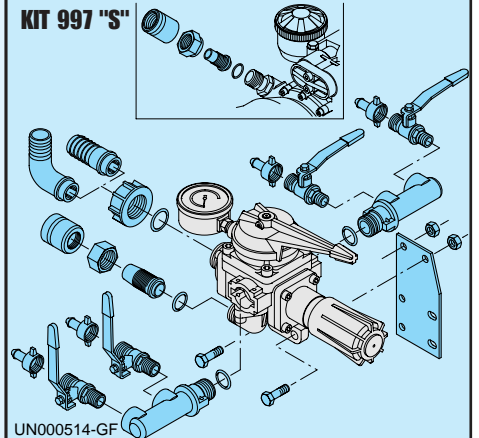
UN000512-GF

KIT 990 "S"



UN000513-GF

KIT 997 "S"



UN000514-GF

BY MATIC 50



Pos.	Cod.	Descrizione	Description	Q.ty	Note
1	550370	Curva ø 25	Elbow	1	
2	550242	Girello 1" G	Ring nut	1	
3	550350	OR ø 23,81x2,62	O-Ring	2	
4	780060	Vite TCEI M 6x25	Bolt	4	
5	1150031	Flangia by-pass 1" G(M)	Flange	1	
6	1150021	Disco separatore	Spacer	1	
7	1150041	Guarnizione	Gasket	1	
8	1150050	Distanziale	Spacer	1	
9	770590	OR ø 21,95x1,78	O-Ring	1	
10	1150060	Sede valvola	Valve seat	1	
11	850760	Forcella ghiera	Fork	1	
12	850750	Ghiera esag. 3/4" G(F)	Ring nut	1	
13	390180	OR ø 18,72x2,62	O-Ring	1	
14	850490	Anello arresto	Ring	1	
15	850713	Raccordo 3/4" G(M)	Adapter	1	
16	390060	OR ø 20,63x2,62	O-Ring	4	
17	1150012	Corpo principale	Valve body	1	
18	320420	Molla castello	Spring	1	
19	680700	Vite TCEI M 6x20	Bolt	1	
20	1150070	Valvola	Valve	1	
21	1150130	Membranina	Diaphragm	1	Desmopan
21	1150131	Membranina	Diaphragm	1	Gomma
22	660160	OR ø 24,99x3,53	O-Ring	1	
23	1150180	Pistone	Piston	1	
24	1150190	Molla di regolazione	Spring	1	
25	1150200	Premi molla	Spring plate	1	
26	1150171	Corpo guida molla	Spring guide body	1	
27	820490	OR ø 34,65x1,78	O-Ring	1	
28	1150210	Manopola	Knob	1	
29	1040370	Vite TCEI M 6x22	Bolt	4	
30	1150140	Raccordo 1/2" G(M)	Adapter	2	
31	1150150	Morsetto raccordo	Clamp	4	
32	1150161	Corpo rubinetto 2 vie	2-way valve body	2	
33	160142	Rub. 1/2" G(M)-(M) SX	Left valve	2	
34	110130	Racc. 1/2" G+tub. ø13	Fitting 1/2" G+hose ø13	4	ex 10130
35	1040690	Forcella	Fork	1	
36	1150250	OR ø 65x2	O-Ring	1	
37	1150120	Selettore	Selector	1	
38	850720	Rondella perno	Washer	1	
39	390340	OR ø 7,30x2,4	O-Ring	1	
40	740290	OR ø 14x1,78	O-Ring	2	
41	850650	Sede mandata	Seat	2	
42	850660	Sfera	Ball	2	
43	850680	Molla chiusura	Spring	3	

Pos.	Cod.	Descrizione	Description	Q.ty	Note
44	1150082	Corpo sup. distributore	Upper body	1	
45	320360	Vite TCEI M 8x22	Bolt	6	
46	850830	Molla	Spring	1	
47	621160	Sfera	Ball	1	
48	1150110	Leva	Lever	1	
49	480520	Spina elastica	Pin	1	
50	391460	Rondella	Washer	1	
51	550545	Manometro ø 63	Pressure gauge	1	0-80 bar
52	1150100	Sfera	Ball	1	
53	1150091	Sede by-pass	Bypass seat	1	
54	880270	OR ø 17,17x1,78	O-Ring	1	
55	550210	Tubetto ø 25	Hose tail	1	
56	850770	Ghiera raccordo	Ring nut	2	
57	850790	Girello 3/4" G	Ring nut	2	
58	850780	Tubo portagomma	Hose tail	2	
59	180370	Vite TE M 8x25	Bolt	2	
60	850690	Staffa	Bracket	1	
61	390270	Dado M 8	Nut	2	
62	160141	Rub. 1/2" G(M)-(M) DX	Right valve	2	
63	550331	Rosetta ø 6,5	Washer	4	
64	1150280	OR ø 50,52x1,78	O-Ring	1	
65	1150690	Gomito 90° 3/4" G (F)-(F)	Elbow	1	
66	960160	OR ø 17,86x2,62	O-Ring	2	
67	1040950	Copiglia	Split pin	2	
69	1150840	Boccola	Bushing	1	

○ Non compreso nel BY MATIC 50 - No part of BY MATIC 50

KIT 1967 OR O-Ring		KIT 1968 Pronto intervento N° 1 Maintenance repair N° 1				KIT 2485 Pronto intervento N° 2 Maintenance repair N° 2	
Pos.	Q.ty	Pos.	Q.ty	Pos.	Q.ty	Pos.	Q.ty
3	2	3	2	48	1	7	1
9	1	9	1	54	1	9	1
13	1	10	1	64	1	10	1
16	4	13	1			19	1
22	1	16	4			20	1
27	1	20	1			21	1
36	1	21	1			22	1
39	1	22	1				
40	2	27	1				
54	1	36	1				
64	1	39	1				
66	2	40	2				

Comando incorporato e separato / Build-in control unit and remote control

KIT 995 "T" Comando incorporato Build in control				Per / for AR 1265 AR 1516
Pos.	Q.ty	Pos.	Q.ty	
1	1			
2	1			
3	1			
34	2			
65	1			

KIT 996 "T" Comando incorporato Build in control				Per / for BHA 110 BHA 140 BHA 160 BHA 200 BHS 110 BHS 140 BHS 160 BHS 200
Pos.	Q.ty	Pos.	Q.ty	
1	1			
2	1			
3	1			
11	1			
12	1			
13	1			
14	1			
34	2			

KIT 988 "S" Comando separato Remote control				Per / for AR 713 AR 813 AR 1064 AR 1265 AR 1516 BHA 110-140 BHA 160-200 BHS 110-140 BHS 160-200
Pos.	Q.ty	Pos.	Q.ty	
2	1			
3	1			
55	1			

KIT 999 "S" Comando incorporato Build in control				Per / for AR 713 AR 813 AR 1064 AR 1265 AR 1516 BHA 110-140 BHA 160-200 BHS 110-140 BHS 160-200
Pos.	Q.ty	Pos.	Q.ty	
2	1			
3	1			
55	1			
59	2			
60	1			
61	2			

KIT 990 "S" Comando separato Remote control				Per / for AR 713 AR 813 AR 1064 AR 1265 AR 1516 BHA 110-140 BHA 160-200 BHS 110-140 BHS 160-200
Pos.	Q.ty	Pos.	Q.ty	
2	1	61	2	
3	1	66	2	
55	1			
56	2			
57	2			
58	2			
59	2			
60	1			

KIT 997 "S" Comando separato Remote control				Per / for AR 713 AR 813 AR 1064 AR 1265 AR 1516 BHA 110-140 BHA 160-200 BHS 110-140 BHS 160-200
Pos.	Q.ty	Pos.	Q.ty	
1	1	56	2	
2	1	57	2	
3	1	58	2	
16	2	59	2	
32	2	60	1	
33	2	61	2	
34	4	62	2	
55	1	66	2	